

## [SMB TYPE]

## 方孔型磁珠磁芯

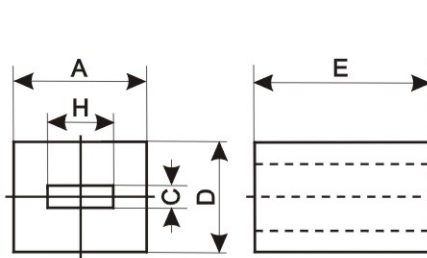


Fig 1

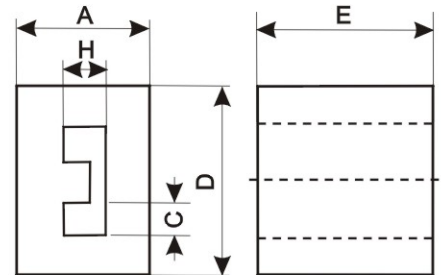


Fig 2

### FEATURES 特長

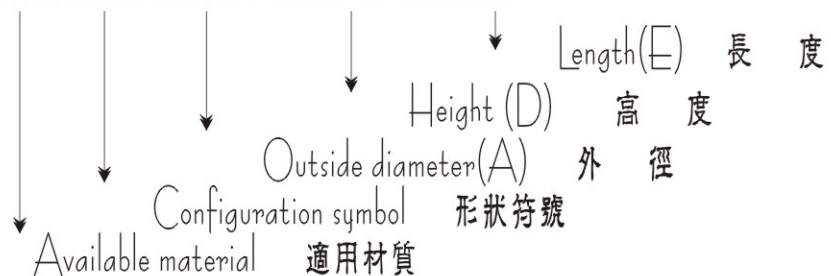
插入扁平式端子以表面粘著處理，防止高頻雜訊干擾之小型電磁相容裝置。

Bead cores plug in flat terminal handle with surface mount technology, prevents high frequency interference from peripheral components.

### PRODUCT IDENTIFICATION

### 產品識別碼

DL5 SMB 3.05 × 2.54 × 4.05



### DIMENSION 尺寸

UNIT:m/m

Core Order Code	A	C	D	E	H	Fig
SMB 3.05x2.54x4.05	3.05±0.15	0.5±0.1	2.54±0.15	4.05±0.2	1.5±0.1	1
SMB 3.05x2.54x8.50	3.05±0.15	0.5±0.1	2.54±0.15	8.50±0.3	1.5±0.1	1
SMB 4.75x3.00x7.88	4.75±0.15	0.6±0.1	3.00±0.15	7.88±0.3	2.0±0.1	1
SMB 2.85x5.60x8.90	2.60±0.20	0.4±0.1	5.60±0.20	8.20±0.3	1.5±0.1	2

### USEAGE 用途

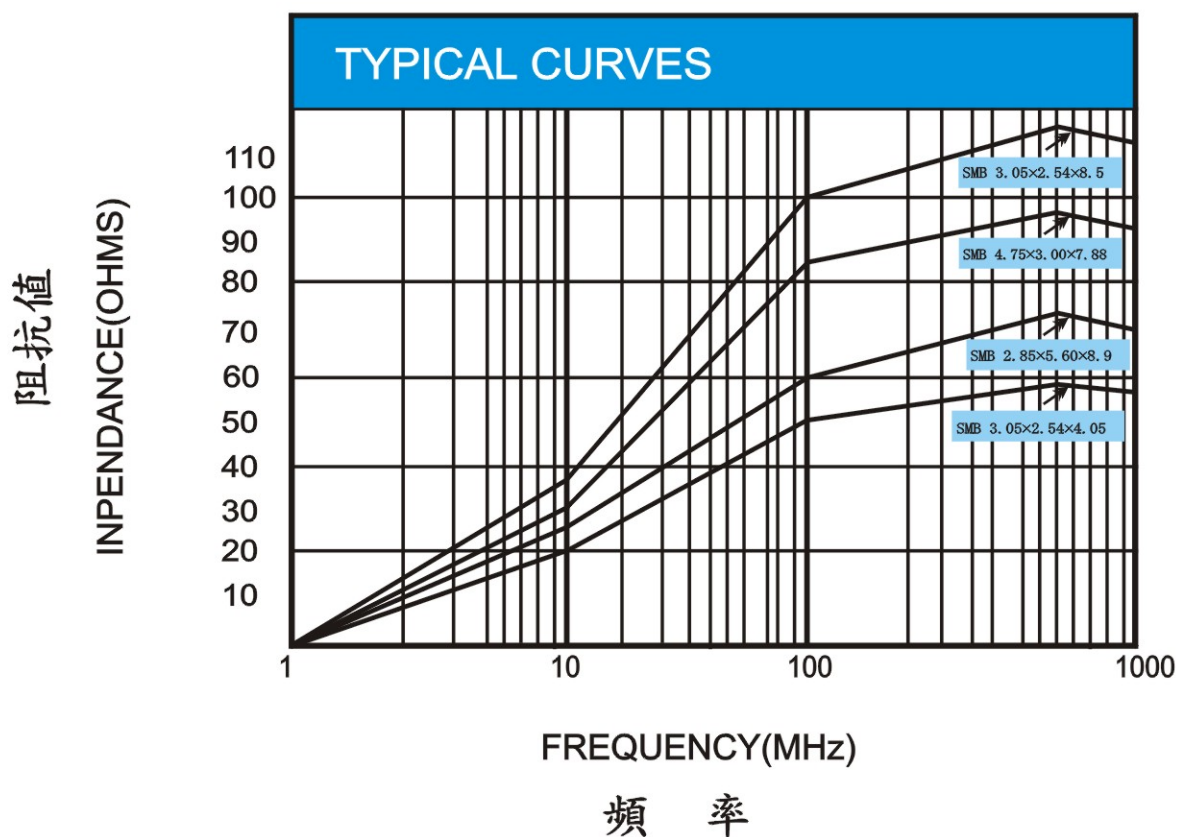
PC式硬式磁碟機  
TV GAME 設備  
Hard-disk drives;  
TV game equipment.

[SMB TYPE]

方孔型磁珠

## IMPEDANCE VS. FREQUENCY CHARACTERISTICS

阻抗值 - 頻率(參考值)



DCR. 0008 Ohms Max.

Operating Temperature Range:  
-55°C ~ +125°C

Current Rating 5 Amps Max.  
(35°C Rise, 90°C Ambient)

Material Ferrite bead with 90/10  
tin/lead plated copper lead

### IMPEDANCE(OHMS) 阻抗值

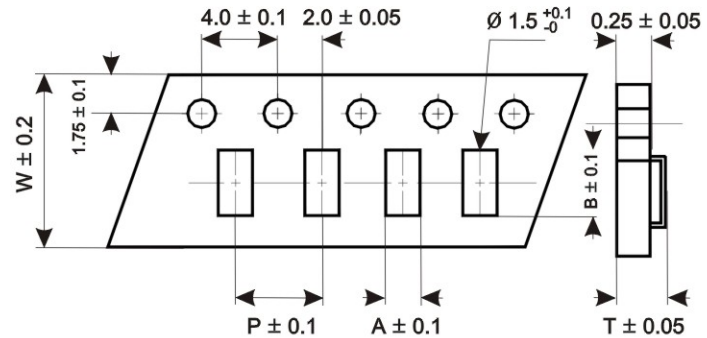
ORDER CODE	@25MHz(Min)	@100MHz(± 20%)
SMB 3.05X2.54X4.05	22	47
SMB 3.05X2.54X8.50	45	95
SMB 4.75X3.00X7.88	43	85
SMB 2.85X5.60X8.90	30	60

## [SMB TYPE]

## 方孔型磁珠

### STANDARD PACKAGING TYPE DIMENSIONS

### 包裝尺寸及方式



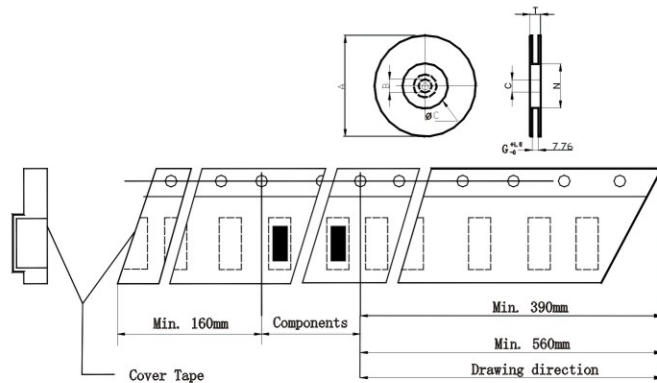
### CARRIER TAPE MATERIAL POLYSTYRENE

#### DIMENSION 尺寸

UNIT:m/m

TYPE	A	B	W	P	T
SMB 3.05x2.54x4.05	3.6	4.9	12	8	3.4
SMB 3.05x2.54x8.50	3.6	9.5	16	8	3.4
SMB 4.75x3.00x7.88	5.2	8.75	16	8	3.6
SMB 2.85x5.60x8.90					

### REEL DIMENSIONS



#### DIMENSION 尺寸

UNIT:m/m

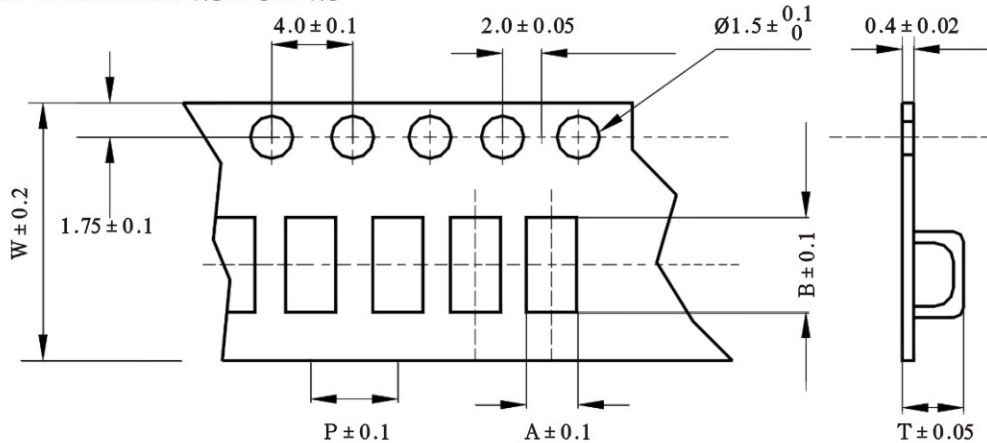
TYPE	QTY	A	B	C	G	N	E
SMB 3.05x2.54x4.05	500	178	21	13	12.4	70	10.4
SMB 3.05x2.54x4.05	3000	330	21	13	12.4	75	10.4
SMB 3.05x2.54x8.50	500	178	21	13	12.4	70	10.4
SMB 3.05x2.54x8.50	3000	330	21	13	12.4	75	10.4
SMB 4.75x3.00x7.88	500	178	21	13	12.4	70	10.4



## [PACKAGING FOR SMD TYPE]

### STANDARD PACKAGING TYPE DIMENSIONS

### 包裝尺寸及方式

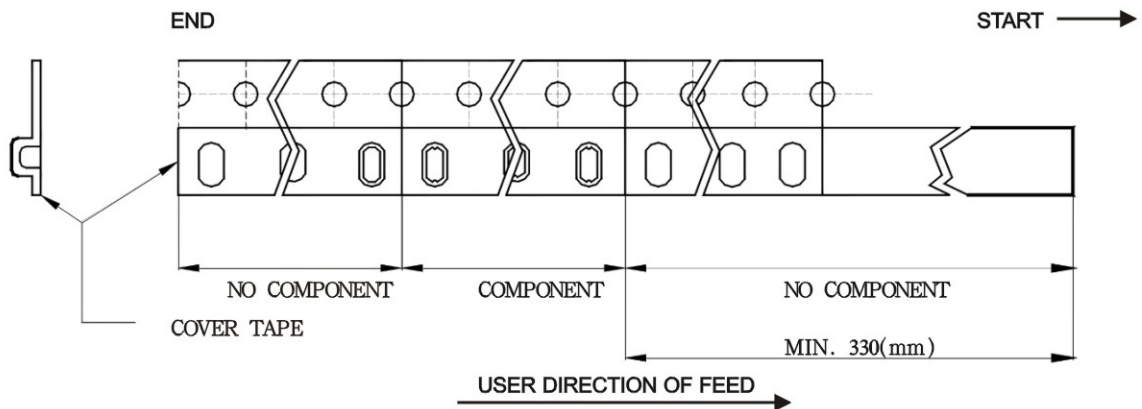


CARRIER TAPE MATERIAL: POLYSTYRENE  
PACKAGING QUANTITY

DIMENSION 尺寸

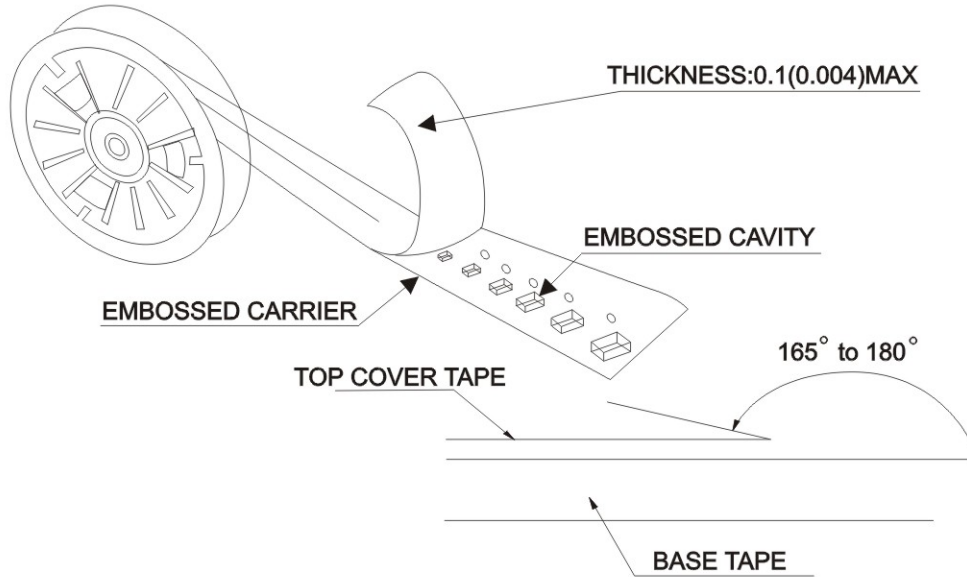
UNIT:m/m

TYPE	A	B	W	P	T	CHIP/REEL[330 ]
CDR 4.5X3.2 R	4.4	5.05	12	8	3.6	1500
CDR 5.8X4.5 R	5.5	6.1	16	12	5	1000
CDR 7.8X3.5 R	7.2	8	16	12	5	1000
CDR 7.8X5.0 R	7.2	8.1	16	12	3.8	500
CDR 10 X4.0 R	9.4	10.4	24	12	5	1000
CDR 10 X5.0 R	9.5	10.4	24	16	4.5	500
SDRI 10 X5.2	12.6	12.6	24	16	5.8	500
SDRI 12.5 X7.2	12.6	12.6	24	16	8	500
SDRI 7.3 X2.8						
SDRI 7.3 X3.6						



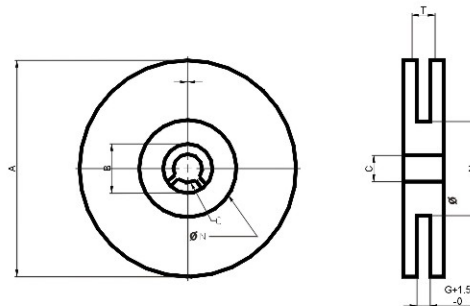
## [PACKAGING FOR SMD TYPE]

包裝尺寸及方式



The force for tearing off cover tape is 10 to 60 grams in the arrow direction.

## CARRIER TAPE RELLS



MATERIAL:PAPER/PLASTIC

UNIT:m/m

TYPE	A	B	C	G	N	T
12mm	178	21±0.8	13±0.2	12.4	55	16.4
16mm	178	21±0.8	13±0.2	16.4	55	20.4
24mm	178	21±0.8	13±0.2	24.4	75	28.4
12mm	330	21±0.8	13±0.2	12.4	75	16.4
16mm	330	21±0.8	13±0.2	16.4	75	20.4
24mm	330	21±0.8	13±0.2	24.4	75	28.4